

# 467.3.402-10

## Vacuum cleaner motor performance

# DOMEL®

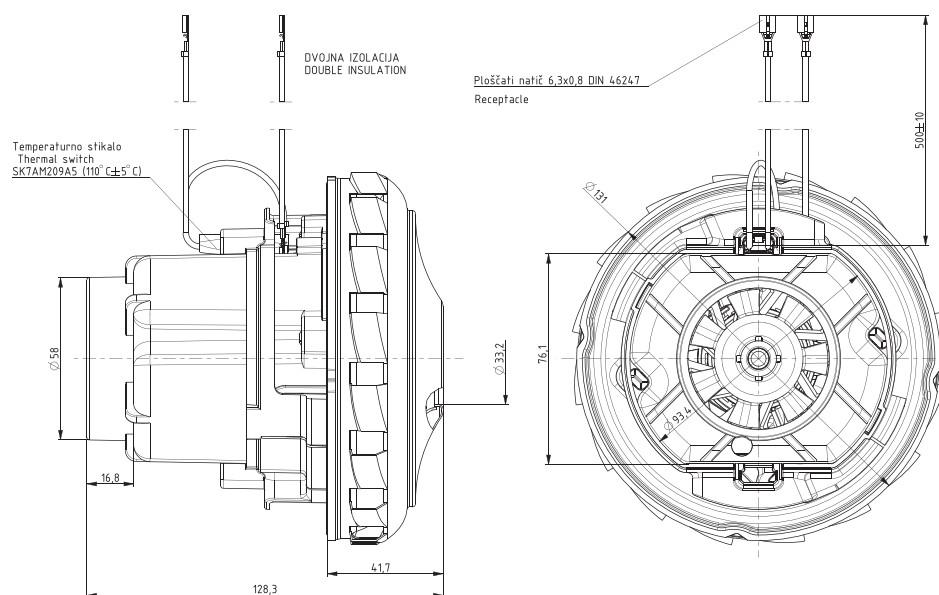
Vacuum cleaner motors with double insulation and high efficiency 467.3.402-10 / 1200W / 230V / 50Hz are used for wet and dry aspiration. Technical data and dimensions are given in the table. Vacuum motors consist of universal commutator motor and single fan stage. The rotor is supported with two ball bearings enabling vertical or horizontal installation of motor. The motor is designed for insulation class 180 (H) and constructed according to EN 60335-1.

### Technical data:

Normal operation:	$P_m$	>=	1230	W
Vacuum:	$P_{max}$	>=	24,5 98,4	kPa in H <sub>2</sub> O
Air Flow at $\phi 50$ :	$Q_{\phi 50}$	>=	68 145	dm <sup>3</sup> /s CFM
Air Power:	$P_{2max}$	>=	480	W
Efficiency:	$\eta_{max}$	>=	39	%
Mass:	m	=	1,21	kg

Voltage:	230 V
Frequency:	50 Hz
Nominal Power:	1200 W

### Max. power 1300W



Dimensional and performance data are subject to change without notice.

Orifice		Current	Input Power	Speed	Pressure		Air Flow		Air power	Efficiency
mm	in*	A	W	min <sup>-1</sup>	kPa	in H <sub>2</sub> O	dm <sup>3</sup> /s	CFM	W	%
50	2	5,73	1295	31864	2,3	8,3	71,8	153,4	164	12,6
40	1 1/2	5,77	1305	31624	4,6	21,9	64,6	131,5	294	22,5
30	1 1/8	5,71	1293	31832	9,3	41,2	51,3	102,3	477	36,9
23	7/8	5,43	1230	33133	14,1	58,9	36,4	73,4	519	42,2
19	3/4	5,13	1166	34509	17,0	67,9	27,3	58,1	463	39,7
16	5/8	4,82	1097	35976	19,3	78,0	20,6	43,1	398	36,2
13	1/2	4,47	1019	37892	21,6	87,6	14,3	29,2	310	30,4
10	3/8	4,12	944	40073	23,6	95,7	8,9	17,4	210	22,2
6	1/4	3,84	881	42003	25,1	100,8	3,9	8,1	98	11,1
0	0	3,60	828	43978	26,0	104,3	0,0	0,0	0	0,0

Data above represent the performance of an average motor sample. Individual data may vary due to normal manufacturing variations.

\* Orifice in inch is only approximative.